

## T-URA-, VAARNARUUVIT JA PIDENNYS- JA LAIPPAMUTTERIT

### Vertex

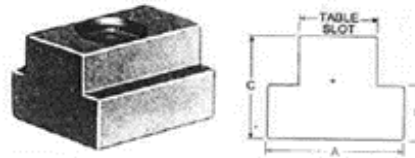
#### Vaarnaruuvit Vertex (2B)

tilaus no	kierre	pit.	nimikekoodi
1322M	M8	50	6.067.002
1332M	M10	50	6.067.002
1342M	M12	50	6.067.003
1342M2	M14	63	6.067.004
1352	M16	63	6.067.005



#### T-urapalat Vertex (2B)

tilaus no	kierre	T-ura mm	mitat mm			nimikekoodi
			A	B	C	
3412M	M8	10	16	6	12	6.065.002
3423M	M10	12	18	7	14	6.065.003
3414M	M12	14	22	8	16	6.065.004
3424M	M14	16	25	8	16	6.065.005
3415M	M16	18	28	11	20	6.065.001



#### Olakemutterit Vertex (2B)

tilaus no	kierre	avainväli mm	nimikekoodi
4512	M8	13	6.034.001
4513	M10	17	6.034.002
4514	M12	19	6.034.003
4514M	M14	21	6.034.004
4515	M16	26	6.034.005



## Viti testa a martello singole

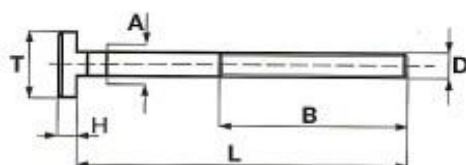
Materiale: UNI 42CrMo4  
A norma ASTM A193-B7 Classe 10.9.

# S311

DIN 787

## Single hammerhead bolts

Material: UNI 42CrMo4  
According to standard  
ASTM A193-B7 Class 10.9.



Codice Code	D	L	B	A	T	H	Cava	gr
	M10		30	9,7	15	6	10	30
S311.10040		40			6.018.312			
S311.10060		63	45		6.018.272			50
S311.10080		80	55		6.018.306			55
S311.10100		100	60		6.018.273			70
S311.10125		125	75					75
S311.10150		150	100					90
S311.10170		170	100					100
	M12		35	11,7	18	7	12	60
S311.12050		50			6.018.048			
S311.12060		63	45		6.018.049			65
S311.12080		80	55		6.018.050			75
S311.12100		100	60		6.018.051			90
S311.12125		125	75		6.018.274			110
S311.12150		150	100		6.018.337			130
S311.12170		170	100		6.018.307			145
S311.12200		200	120		6.018.275			160
	M14		40	13,7	22	8	14	80
S311.14060		63			6.018.338			
S311.14080		80	55		6.018.339			100
S311.14100		100	65		6.018.052			135
S311.14125		125	75		6.018.053			160
S311.14150		150	100		6.018.054			190
S311.14170		170	100					210
S311.14200		200	125		6.018.055			235
S311.14230		230	150					265
	M16		45	15,7	25	9	16	140
S311.16060		63			6.018.056			
S311.16080		80	55		6.018.057			160
S311.16100		100	63		6.018.058			180
S311.16125		125	75		6.018.059			225
S311.16150		150	100					255
S311.16160		160	100		6.018.060			270
S311.16170		170	100					280
S311.16200		200	125		6.018.061			315
S311.16230		230	150					360
S311.16250		250	150		6.018.062			380

Codice Code	D	L	B	A	T	H	Cava	gr
	M18		55	17,7	28	10	18	185
S311.18080		80						
S311.18100		100	65					203
S311.18125		125	85		6.018.063			280
S311.18150		150	100					320
S311.18170		170	100					350
S311.18200		200	125					400
S311.18230		230	150					430
	M20		55	19,7	32	12	20	290
S311.20080		80			6.018.064			
S311.20100		100	63		6.018.065			340
S311.20125		125	85		6.018.066			390
S311.20150		150	100					450
S311.20160		160	110		6.018.327			470
S311.20170		170	100					475
S311.20200		200	125					550
S311.20230		230	150		6.018.314			670
S311.20315		315	190		6.018.317			800
	M22		55	21,7	35	14	22	330
S311.22080		80						
S311.22100		100	63					370
S311.22125		125	85					430
S311.22150		150	100					500
S311.22170		170	100					590
S311.22200		200	125					660
S311.22230		230	150					680
	M24		55	23,7	40	16	24	450
S311.24080		80			6.018.067			
S311.24100		100	70		6.018.068			550
S311.24125		125	85		6.018.069			600
S311.24150		150	100					710
S311.24160		160	110		6.018.070			740
S311.24170		170	100					770
S311.24200		200	125		6.018.071			900
S311.24230		230	150					950
S311.24250		250	150		6.018.304			960

# S316 DIN 787

## Single hammerhead bolts

Material: UNI 42CrMo4 According to standard: ASTM A193-B7. Classe 10.9.



Codice Code	D	L	B	A	T	H	Cava	gr
	M12		3,5	13,7	22	8	14	80
S316.12050		50			6.018.072			
S316.12063		63	45		6.018.073			85
S316.12080		80	55		6.018.074			100
S316.12125		125	75		6.018.348			120
S316.12200		200	120		6.018.349			180
	M14		4,5	15,7	25	9	16	125
S316.14063		63			6.018.075			
S316.14100		100	63		6.018.076			160
S316.14160		160	100		6.018.077			220
S316.14230		230	150		6.018.078			285
	M16		4,5	17,7	28	10	18	160
S316.16063		63			6.018.356			
S316.16080		80	55		6.018.371			185
S316.16100		100	63		6.018.079			205
S316.16125		125	85		6.018.372			250
S316.16160		160	100		6.018.080			280
S316.16200		200	125		6.018.379			345
S316.16230		230	150					390
S316.16250		250	150		6.018.357			430
	M20		5,5	21,7	35	14	22	330
S316.20080		80			6.018.358			
S316.20100		100	63		6.018.385			380
S316.20125		125	85		6.018.359			430
S316.20160		160	110		6.018.081			490
S316.20200		200	125		6.018.082			570
S316.20230		230	150		6.018.083			645
S316.20315		315	190		6.018.360			820
	M24		7,0	27,7	44	18	28	650
S316.24100		100			6.018.409			
S316.24125		125	85					740
S316.24160		160	110		6.018.361			800
S316.24200		200	125		6.018.384			950
S316.24230		230	150					1060
S316.24250		250	150		6.018.362			1120
S316.24315		315	240					1490

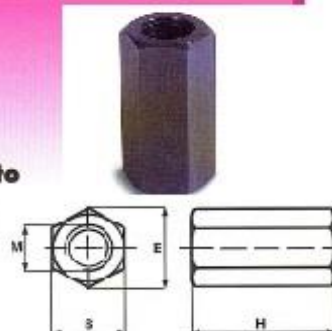
# S350

## Dadi prolungamento

Material: acciaio classe 10K.

## Extension nuts

Material: steel class 10K.



Codice Code	M	S	E	H	gr
S350.06018	6	10	11,5	18	8
S350.08024	8	13	14,8	24	19
S350.10030	10	17	19,6	30	42
S350.12036	12	19	21,5	36	64
S350.14042	14	22	25	42	95
S350.16048	16	24	27,5	48	120
S350.18054	18	27	31	54	170
S350.20060	20	30	34,6	60	240
S350.22066	22	32	36,9	66	280
S350.24072	24	36	41,6	72	400
S350.27081	27	41	47,3	81	600
S350.30090	30	46	53,1	90	850
S350.36108	36	55	63,5	108	1470
S350.42126	42	65	75	126	2340
S350.48144	48	75	86,5	144	3600

# S351 DIN 6331



Codice Code	M	S	E	H	A	D	gr
S351.00008	8	13	14,8	12	3,5	18	12
S351.00010	10	17	19,6	15	4	22	21
S351.00012	12	19	21,5	18	4	25	36
S351.00014	14	22	25	21	4,5	28	51
S351.00016	16	24	27,5	24	5	31	70
S351.00018	18	27	31	27	5	34	95
S351.00020	20	30	34,6	30	6	37	130
S351.00022	22	32	36,9	33	6	40	160
S351.00024	24	36	41,6	36	6	45	230
S351.00027	27	41	47,3	40	8	51	320
S351.00030	30	46	53,1	45	8	58	470
S351.00036	36	55	63,5	54	10	68	800
S351.00042	42	65	75	63	12	80	1340
S351.00048	48	75	86,5	72	14	92	2040



## Prigionieri singoli

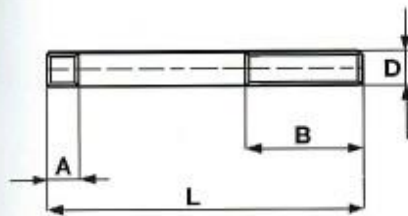
Materiale: UNI 42CrMo4  
A norma ASTM A193-B7 Classe 10.9  
Filetto ottenuto per rollatura.

# S321

DIN 6379

## Single studs

Material: UNI 42CrMo4  
According to standard  
ASTM A193-B7 Class 10.9  
Rolled thread.



Codice Code	D	L	A	B	gr	Codice Code	D	L	A	B	gr	Codice Code	D	L	A	B	gr			
S321.08040	6.067.014	M8	40	11	20	13	S321.16065	6.067.038	M16	63	19	35	85	S321.24100	6.067.074	M24	100	35	45	290
S321.08060	6.067.012		63	40	20		S321.16080	6.067.039		80	50	105		S321.24125	6.067.075		125		70	380
S321.08080	6.067.013		80	50	25		S321.16100	6.067.040		100	63	130		S321.24160	6.067.076		160	100	470	
S321.08100	6.067.014		100	63	30		S321.16125	6.067.041		125	75	160		S321.24200	6.067.077		200	125	580	
S321.08125	6.067.015		125	75	36		S321.16160	6.067.042		160	100	220		S321.24225			225		125	670
S321.08160	6.067.016		160	100	45		S321.16200	6.067.043		200	125	280		S321.24250	6.067.078		250	160	730	
S321.08200	6.067.017		200	100	65		S321.16225	6.067.044		225	160	295		S321.24315	6.067.079		315	180	920	
S321.10050	6.067.017	M10	50	13	25	25	S321.16250	6.067.045		250	160	325		S321.27125	6.067.083	M27	125	39	56	485
S321.10060			60	35	30		S321.16315	6.067.046		315	180	425		S321.27150			150	80	570	
S321.10080	6.067.018		80	50	40		S321.18080	6.067.050	M18	80	23	50	130	S321.27200	6.067.084		200	125	770	
S321.10100	6.067.019		100	75	50		S321.18100	6.067.051		100	50	165		S321.27225			225	160	860	
S321.10120	6.067.020		120	75	65		S321.18125	6.067.052		125	75	200		S321.27250	6.067.085		250	160	960	
S321.10160	6.067.021		160	100	80		S321.18160	6.067.053		160	100	255		S321.27315			315	200	1110	
S321.10200	6.067.022		200	125	100		S321.18200	6.067.054		200	125	320		S321.27400	6.067.086		400	250	1535	
S321.12050	6.067.023	M12	50	15	25	37	S321.18225			225	150	365		S321.27500	6.067.087		500	315	1930	
S321.12060	6.067.024		63	32	45		S321.18250	6.067.055		250	150	400		S321.30125	6.067.088	M30	125	43	56	590
S321.12080	6.067.025		80	50	55		S321.18315	6.067.056		315	180	500		S321.30150			150	80	710	
S321.12100	6.067.026		100	63	70		S321.20080	6.067.057	M20	80	27	32	185	S321.30200	6.067.089		200	125	950	
S321.12125	6.067.027		125	75	90		S321.20125	6.067.059		125	70	255		S321.30250			250	160	1180	
S321.12160	6.067.028		160	100	115		S321.20160	6.067.060		160	100	330		S321.30315	6.067.090		315	200	1490	
S321.12200	6.067.029		200	125	140		S321.20200	6.067.061		200	125	410		S321.30400			400	250	1880	
S321.12225			225	160	165		S321.20225	6.067.062		225	160	465		S321.30500	6.067.091		500	315	2360	
S321.12250			250	160	180		S321.20250	6.067.063		250	160	510		S321.30700	6.067.092		700	400	3300	
S321.14060	6.067.030	M14	63	17	32	80	S321.20315	6.067.064		315	200	640		S321.36160	6.067.094	M36	160	51	80	1100
S321.14080	6.067.031		80	50	80		S321.22100	6.067.067	M22	100	31	45	270	S321.36200	6.067.095		200	125	1340	
S321.14100	6.067.032		100	63	95		S321.22120			120	63	300		S321.36250	6.067.096		250	160	1710	
S321.14120	6.067.033		120	75	120		S321.22160	6.067.068		160	100	430		S321.36315	6.067.097		315	200	2150	
S321.14160	6.067.035		160	100	150		S321.22200	6.067.069		200	125	500		S321.36400	6.067.098		400	250	2740	
S321.14200	6.067.036		200	125	195		S321.22225			225	160	570		S321.36500	6.067.099		500	315	3540	
S321.14225			225	160	225		S321.22250	6.067.070		250	160	670		S321.36700	6.067.100		700	400	4780	
S321.14250	6.067.037		250	160	240		S321.22315	6.067.071		315	250	750								

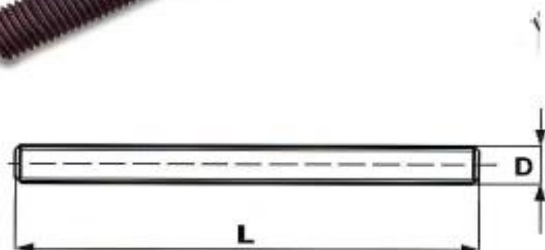
N.B. : Si eseguono su richiesta misure non a catalogo

N.B. : Other sizes can be supplied on request

# BF10

## Threaded bars

Material: UNI 42CrMo4  
According to standard ASTM A193-B7  
Class 10.9 - Rolled thread.



# BF20

## Barre filettate inox

Materiale: acciaio inox AISI 304  
Classe A2  
Filetto ottenuto per rollatura.

## Stainless steel threaded bars

Material: stainless steel AISI 304  
Class A2  
Rolled thread.



Codice Code	D	L	
BF10.00006	M6	1000	0,200
BF10.00008	M8	1000	0,350
BF10.00010	M10	1000	0,550
BF10.00012	M12	1000	0,750
BF10.00014	M14	1000	1,050
BF10.00016	M16	1000	1,400
BF10.00018	M18	1000	1,700
BF10.00020	M20	1000	2,050
BF10.00022	M22	1000	2,600
BF10.00024	M24	1000	3,000
BF10.00027	M27	1000	3,900
BF10.00030	M30	1000	4,700
BF10.00036	M36	1000	6,900
BF10.00042	M42	1000	9,300
BF10.00048	M48	1000	12,200

6.018.183

6.018.407

Codice Code	D	L	
BF20.00006	M6	1000	0,200
BF20.00008	M8	1000	0,350
BF20.00010	M10	1000	0,550
BF20.00012	M12	1000	0,750
BF20.00014	M14	1000	1,050
BF20.00016	M16	1000	1,400
BF20.00018	M18	1000	1,700
BF20.00020	M20	1000	2,050
BF20.00022	M22	1000	2,600
BF20.00024	M24	1000	3,000
BF20.00027	M27	1000	3,900
BF20.00030	M30	1000	4,700
BF20.00036	M36	1000	6,900

N.B. : Si eseguono su richiesta misure non a catalogo

