

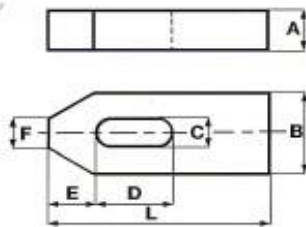
S210 DIN 6314

Staffe semplici

Materiale: Acciaio da bonifica verniciato
R. > 700 N/mm².

Standard clamps

Materiale: Hardened painted steel
R. > 700 N/mm².

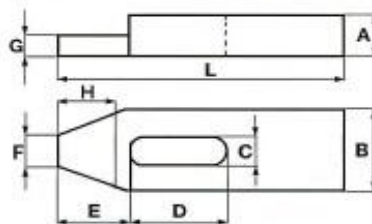
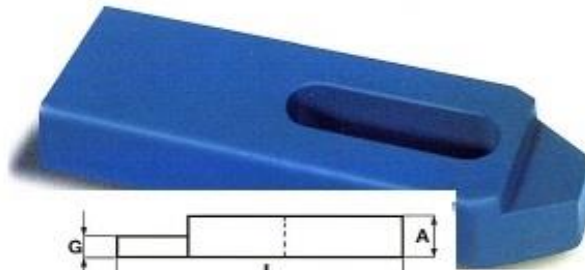


Codice Code	A	B	L	C	D	E	F		gr
S210.07050	10	20	50	7	20	10	8	65	6.018.017
S210.09060	12	25	60	9	22	13	10	115	6.018.247
S210.11080	15	30	80	11	30	15	12	225	6.018.248
S210.14100	20	40	100	14	40	21	14	500	6.018.249
S210.14125	20	40	125	14	50	21	14	620	6.018.250
S210.14160	20	40	160	14	65	21	14	815	
S210.18125	25	50	125	18	45	26	18	980	6.018.251
S210.18160	25	50	160	18	65	26	18	1260	6.018.018
S210.18200	25	50	200	18	80	26	18	1600	6.018.001
S210.22160	30	60	160	22	60	30	22	1850	6.018.252
S210.22200	30	60	200	22	80	30	22	2300	6.018.253
S210.26200	30	70	200	26	80	35	26	2650	6.018.254
S210.26250	30	70	250	26	105	35	26	3300	6.018.255
S210.34250	40	80	250	34	100	45	34	5000	6.018.256
S210.34315	40	80	315	34	130	45	34	6200	6.018.257

S211

Shaped standard clamps

Materiale: Hardened painted steel
R. > 700 N/mm².



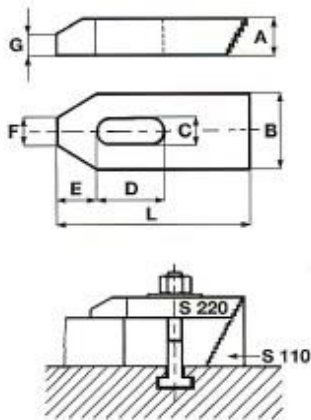
Codice Code	G	A	B	L	C	D	E	F	H		gr
S211.07050	6	10	20	50	7	20	10	8	7	6	60
S211.09060	7	12	25	60	9	22	13	10	10	8	140
S211.11080	9	15	30	80	11	30	15	12	9	10	220
S211.14100	12	20	40	100	14	40	21	12	12	12-14	480
S211.14125	12	20	40	125	14	50	21	14	12	12-14	615
S211.14160	12	20	40	160	14	65	26	14	12	12-14	800
S211.18125	15	25	50	125	18	45	26	18	15	16-18	960
S211.18160	15	25	50	160	18	65	26	18	15	16-18	1230
S211.18200	15	25	50	200	18	80	26	18	15	16-18	1550
S211.22160	20	30	60	160	22	60	30	22	20	20-22	1800
S211.22200	20	30	60	200	22	80	30	22	20	20-22	2200
S211.26200	20	30	70	200	26	80	35	26	25	24	2450
S211.26250	20	30	70	250	26	105	35	26	25	24	3200
S211.34250	25	40	80	250	34	100	45	34	25	27-30	4800
S211.34315	25	40	80	315	34	130	45	34	25	27-30	6000

S220

DIN 6314Z

Toothed clamps

Material: Hardened painted steel
R. > 700 N/mm².



6.018.266
6.018.267

	Codice Code	A	B	L	C	D	E	F	G	gr
6.018.019	S220.07050	10	20	50	7	20	10	8	6	55
6.018.263	S220.09060	12	25	60	9	22	13	10	8	125
6.018.264	S220.11080	15	30	80	11	30	15	12	10	205
6.018.020	S220.14100	20	40	100	14	40	21	14	12	445
6.018.021	S220.18125	25	50	125	18	45	26	18	15	930
6.018.022	S220.22160	30	60	160	22	60	30	22	18	1700
6.018.265	S220.26200	30	70	200	26	80	35	26	18	2500

Viti ricambio (Spare screws)

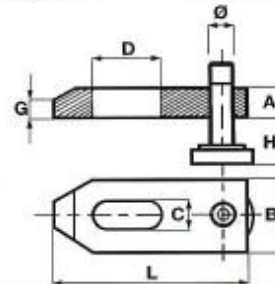
Codice Code	A	B	L	H	gr
S231.00010	40	M10	60	8	130
S231.00012	45	M12	60	8	210
S231.00016	45	M16	70	8	245
S231.00020	45	M20	80	8	300

S230

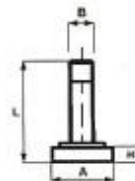
DIN 6314V

Adjustable clamps with fine pitch screw

Material: Hardened painted steel
R. > 700 N/mm².



Codice Code	A	B	L	H	C	D	Ø	G	gr	
S230.11080	15	30	80	8-28	11	30	M10	10	10	215
S230.14100	20	40	100	10-32	14	40	M12	12	12-14	470
S230.18125	25	50	125	13-40	18	45	M16	15	16-18	940
S230.22160	30	60	160	18-60	22	60	M20	18	20-22	1730

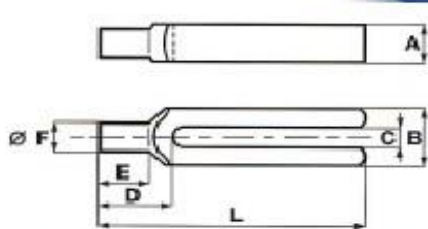


S240

DIN 6315C

Forked clamps with cylindrical shank

Material: Hardened painted steel
R. > 600 N/mm².



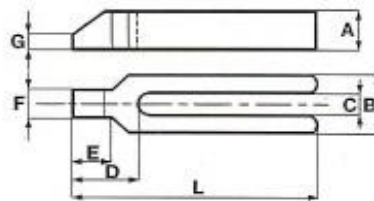
Codice Code	A	B	L	C	D	E	F		gr
S240.09100	15	30	100	9	30	18	12		205
S240.11125	20	30	125	11	36	24	16		335
S240.14160	25	40	160	14	45	30	20		720
S240.14200	25	40	200	14	45	30	20		920
S240.18200	30	50	200	18	55	36	24		1310
S240.18250	30	50	250	18	55	36	24		1640
S240.22250	40	60	250	22	65	45	30		2610
S240.22315	40	60	315	22	65	45	30		3300
S240.26250	40	70	250	26	80	56	38		3100
S240.26315	40	70	315	26	80	56	38		3900
S240.34315	50	80	315	34	85	56	45		5500
S240.34400	50	80	400	34	85	56	45		6900

S250

DIN 6315GN

Forked clamps with nib

Material: Hardened painted steel
R. > 600 N/mm².



6.018.023	S250.09100	15	30	100	9	32	18	16	5	8	225
6.018.169	S250.11125	20	30	125	11	38	24	20	6	10	360
6.018.170	S250.14160	25	40	160	14	47	30	25	7	12-14	770
6.018.024	S250.14200	25	40	200	14	47	30	25	7	12-14	950
6.018.171	S250.18200	30	50	200	18	57	36	28	8	16-18	1420
6.018.025	S250.18250	30	50	250	18	57	36	28	8	16-18	1700
6.018.172	S250.22250	40	60	250	22	68	45	35	10	20-22	2790
6.018.173	S250.22315	40	60	315	22	68	45	35	10	20-22	3480
6.018.174	S250.26250	40	70	250	26	83	56	43	10	24	3320
6.018.175	S250.26315	40	70	315	26	83	56	43	10	24	4270
6.018.176	S250.34315	50	80	315	34	88	56	50	12	27-30	5700
6.018.177	S250.34400	50	80	400	34	88	56	50	12	27-30	7250

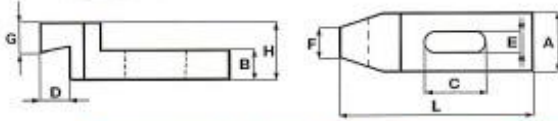
Codice Code	A	B	L	C	D	E	F	G		gr	
6.018.026	S250.09100	15	30	100	9	32	18	16	5	8	225
6.018.027	S250.11125	20	30	125	11	38	24	20	6	10	360
6.018.028	S250.14160	25	40	160	14	47	30	25	7	12-14	770
6.018.029	S250.14200	25	40	200	14	47	30	25	7	12-14	950
6.018.030	S250.18200	30	50	200	18	57	36	28	8	16-18	1420
6.018.031	S250.18250	30	50	250	18	57	36	28	8	16-18	1700
6.018.178	S250.22250	40	60	250	22	68	45	35	10	20-22	2790
6.018.032	S250.22315	40	60	315	22	68	45	35	10	20-22	3480
6.018.179	S250.26250	40	70	250	26	83	56	43	10	24	3320
6.018.180	S250.26315	40	70	315	26	83	56	43	10	24	4270
6.018.181	S250.34315	50	80	315	34	88	56	50	12	27-30	5700
6.018.182	S250.34400	50	80	400	34	88	56	50	12	27-30	7250

S260 DIN 6316

Cranked clamps

This article is produced milling a steel block (it is not produced by bending).

Material: Hardened painted steel R. > 700 N/mm².

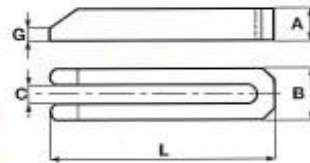


S270 DIN 6315B

Forked clamps with bevel

This article is produced milling a steel block (it is not produced by bending).

Material: Hardened painted steel R. > 600 N/mm².



	Codice Code	A	B	L	C	E	D	F	G	H		gr
6.018.192	S260.14125	40	20	125	30	14	20	20	23	40	12-14	750
6.018.004	S260.18160	50	25	160	40	18	25	25	28	50	16-18	1510
	S260.18200	50	25	200	60	18	25	25	28	50	16-18	1790
6.018.194	S260.22160	60	30	160	40	22	30	30	35	60	20-22	2190
6.018.195	S260.22200	60	30	200	60	22	30	30	35	60	20-22	2700
6.018.196	S260.26200	70	35	200	50	26	35	35	38	70	24	3660
6.018.197	S260.26250	70	35	250	75	26	35	35	38	70	24	4560

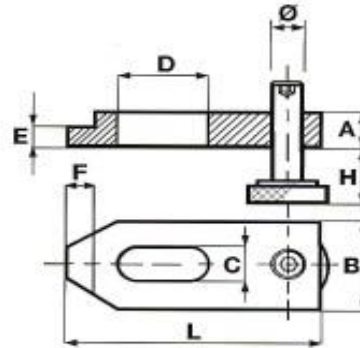
	Codice Code	A	B	L	C	G		gr
6.018.391	S270.07060	12	20	60	7	3	6	70
6.018.392	S270.09080	15	25	80	9	4	8	150
6.018.393	S270.11100	20	30	100	11	5	10	270
6.018.394	S270.14125	25	40	125	14	6	12-14	590
6.018.033	S270.14160	25	40	160	14	6	12-14	760
6.018.395	S270.14200	25	40	200	14	6	12-14	970
6.018.396	S270.18160	30	50	160	18	8	16-18	1160
6.018.034	S270.18200	30	50	200	18	8	16-18	1400
6.018.035	S270.18250	40	50	250	18	10	16-18	2330
6.018.036	S270.22200	40	50	200	22	10	20-22	1700
6.018.037	S270.22250	40	60	250	22	10	20-22	2880
6.018.038	S270.22315	40	60	315	22	10	20-22	3530
6.018.039	S270.26200	40	70	200	26	10	24	2680
6.018.040	S270.26250	40	70	250	26	10	24	3370
6.018.397	S270.26315	40	70	315	26	10	24	4220
6.018.398	S270.34250	50	80	250	34	12	24	4480
6.018.399	S270.34315	50	80	315	34	12	27-30	5600
6.018.400	S270.34400	50	80	400	34	12	27-30	7150
6.018.401	S270.40400	60	100	400	40	12	36	11700
6.018.402	S270.40600	60	100	600	40	12	36	17300

SUORAT KIINNITYSRAUDAT LOVETULLA PÄÄLLÄ JA ASETUSRUUVILLA

S280

**Adjustable clamps
with square thread screw**

Material: Hardened painted steel
R. > 700 N/mm².



6.018.041

Codice Code	A	B	L	H	C	D	Ø	E	F		gr
S280.14100	20	40	100	15-50	15	40	20x4	12	12	12-14	430
S280.14125	20	40	125	15-50	15	45	20x4	12	12	12-14	580
S280.14160	20	40	160	15-50	15	60	20x4	12	12	12-14	760
S280.18125	25	50	125	15-70	19	45	20x4	15	15	16-18	900
S280.18160	25	50	160	15-70	19	60	30x6	15	15	16-18	1100
S280.18200	25	50	200	15-70	19	80	30x6	15	15	16-18	1430
S280.22160	30	60	160	15-70	23	60	30x6	15	20	20-22	1580
S280.22200	30	60	200	15-70	23	80	30x6	15	20	20-22	2030
S280.26200	40	70	200	15-70	27	80	30x6	25	23	24	3160
S280.26250	40	70	250	15-70	27	100	30x6	25	23	24	4080
S280.26300	40	70	300	15-70	27	100	30x6	25	23	24	5200



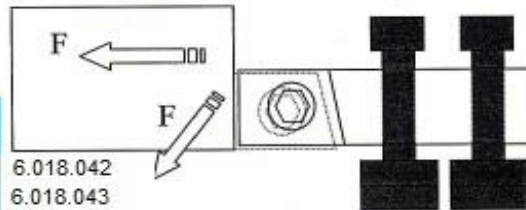
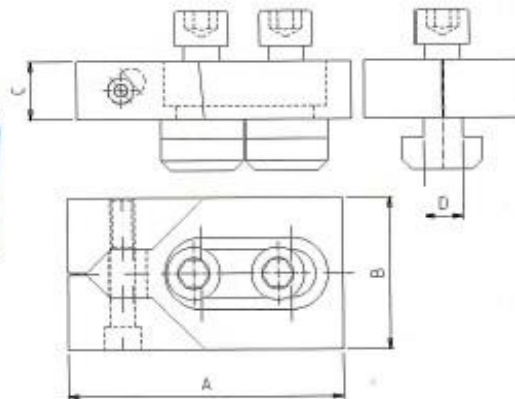
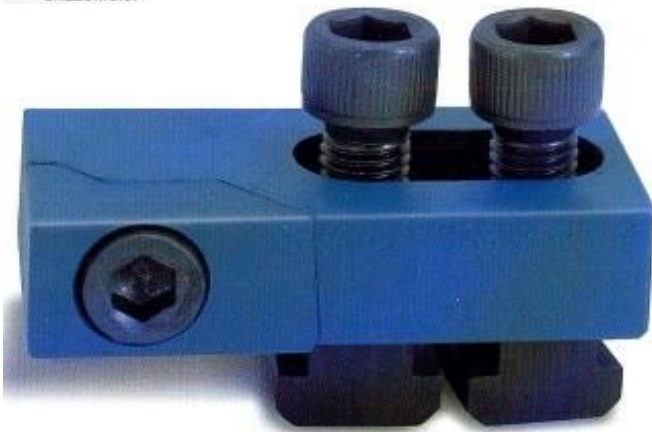
Morsetti laterali

Materiale: acciaio bonificato verniciato.
Costruzione a cuneo che permette il bloccaggio contemporaneo del pezzo in senso verticale ed orizzontale.

ML10
N r. 6490

Side buckles

Material: hardened painted steel.
Wedge type construction which enable to simultaneously clamp vertically and horizontally.
Supplied in pairs.



Codice Code	A	B	C	D		
ML10.00012	80	40	20	11,7	12	0,800
ML10.00014	80	40	20	13,7	14	0,800
ML10.00016	100	50	25	15,7	16	1,600
ML10.00018	100	50	25	17,7	18	1,600
ML10.00020	100	50	25	19,7	20	1,600
ML10.00022	140	78	30	21,7	22	4,200
ML10.00024	140	78	30	23,7	24	4,200
ML10.00028	140	78	30	27,7	28	4,200
ML10.00030	140	78	30	29,7	30	4,200

6.018.042
6.018.043
6.018.044
3.018.045
6.018.046
6.018.203
6.018.204
6.018.205
6.018.206