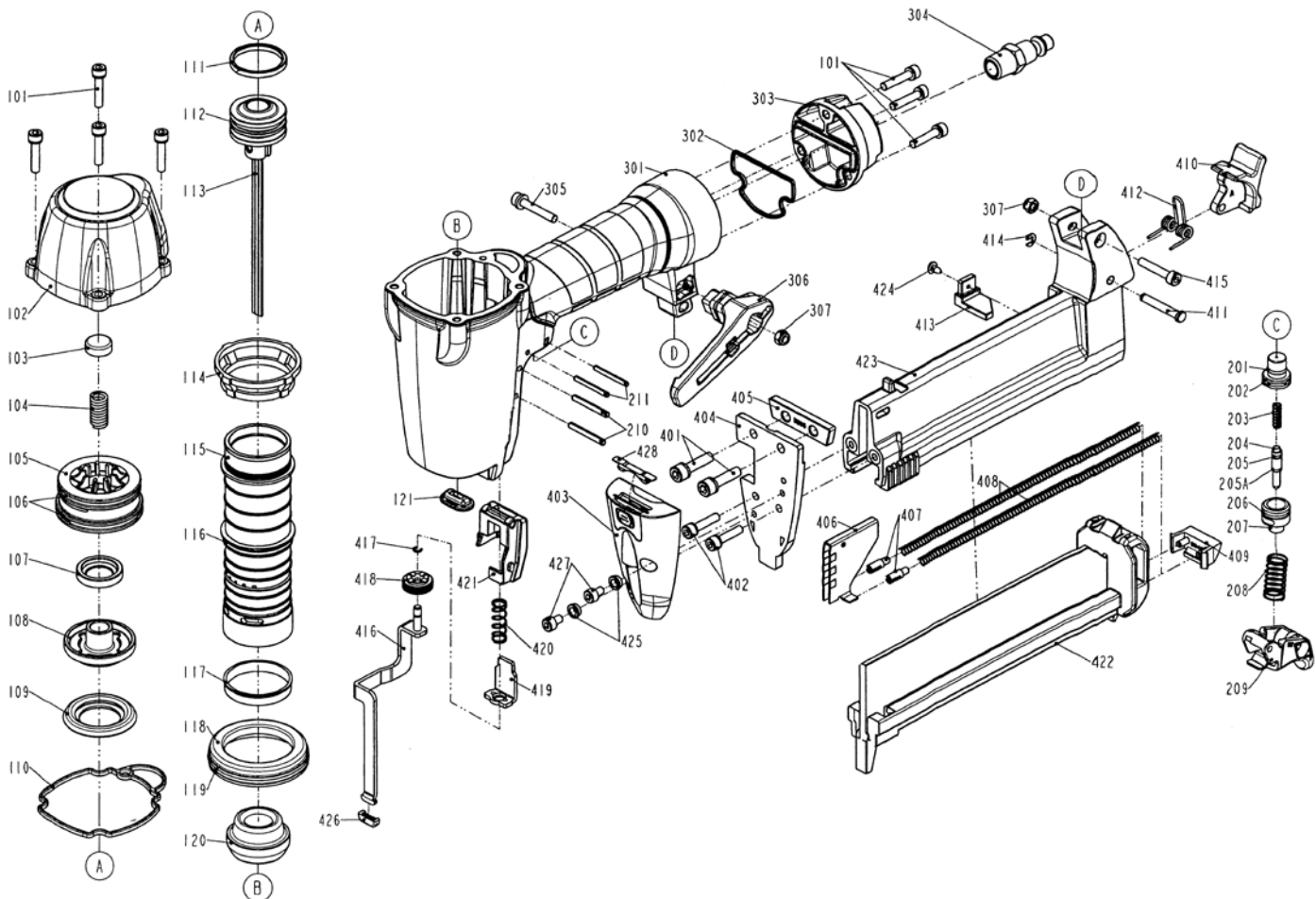


# DIAGRAM OF BEX S90/40L-F1



ITEM NO.	PART NO.	DESCRIPTION	ITEM NO.	PART NO.	DESCRIPTION	ITEM NO.	PART NO.	DESCRIPTION
101	201104201A	BOLT ASSY	301	11230-1047101-1	GUN BODY UNIT	427	2040101-02020-2	HEX.SOC.HD.BOLT
102	11369-1044302-1	CAP	302	1132H-1044701-1	GASKET	428	1135G-1044701-1	RUBBER PAD
103	2001091000	SEAL	303	11346-1044303-1	END CAP	429	11329-0314702-1	PIN-B
104	11360-0010001-3	COMPRESSION SPRING	304	1135V-0000039-1	AIR PLUG			
105	11399-1040003-2	COLLAR	305	3001240000	BOLT W/FLAT WASHER			
106	2041102-04060-0	O - RING	306	1133D-1044701-1	SPRING RETAINER			
107	2023160047	OIL SEAL	307	2040500-02020-0	LOCK NUT			
108	11368-1040001-1	HD.VALVE PISTON	401	3002190200	BOLT ASSY			
109	1136X-1040001-1	SEAL	402	201104181A	BOLT ASSY			
110	11302-1044703-1	CYLINDER CAP SEAL	403	1120H-0684701-1	RELIEF PLATE UNIT			
111	2023130000	PISTON RING	404	11351-0684706-2	DRIVER GUIDE COVER			
112	3202230000	O - RING	405	11380-0684704-1	GASKET			
113	11204-0680037-1	DRIVER UNIT	406	11363-0684703-2	PUSHER			
114	11399-1044701-1	COLLAR	407	102241602	SHAFT			
115	11320-0390006-3	CYLINDER	408	11367-0024701-1	PUSHER SPRING			
116	3203330000	O - RING	409	11347-0684701-1	REAR PLATE			
117	2023140047	CYLINDER RING	410	11343-0394704-1	LATCH			
118	2023110047	CYLINDER SPACER	411	11344-0394705-1	LATCH PIN			
119	2152067	O - RING	412	2022100J00	SPRING			
120	11327-0264701-3	BUMPER	413	11305-0024701-1	STOPPER			
121	11301-0680003-1	JOINT GUIDE	414	226106	E - RING			
201	2152035	O - RING	415	20110422C12	HEX.SOC.HD.BOLT			
202	11373-0150001-3	TRIGGER VALVE HEAD	416	11330-0684707-2	SAFETY RING			
203	1133U-0264701-1	SPRING	417	106642901	SAFETY RING			
204	101520301	PLUNGER	418	2023771C00	ADJUST AXIE			
205	2152060	O - RING	419	11330-0684702-3	SAFETY RING			
205A	2041102-01031-0	O - RING	420	2027890A00	SAFETY SPRING			
206	3201260000	O - RING	421	11338-1044702-2	SAFETY GUIDE			
207	101520601	PLUNGER CAP	422	11389-0684701-2	MAGAZINE A			
208	2021990J00	SPRING	423	11391-0684701-2	MAGAZINE B			
209	11224-1044704-3	TRIGGER UNIT	424	2040107-01040-0	TAP BOLT			
210	246192	SPRING PIN	425	11398-1144701-1	LATCH SPRING BUSHING			
211	2040400-04120-0	SPRING PIN	426	11339-0394703-1	PROTECTIVE CASING			