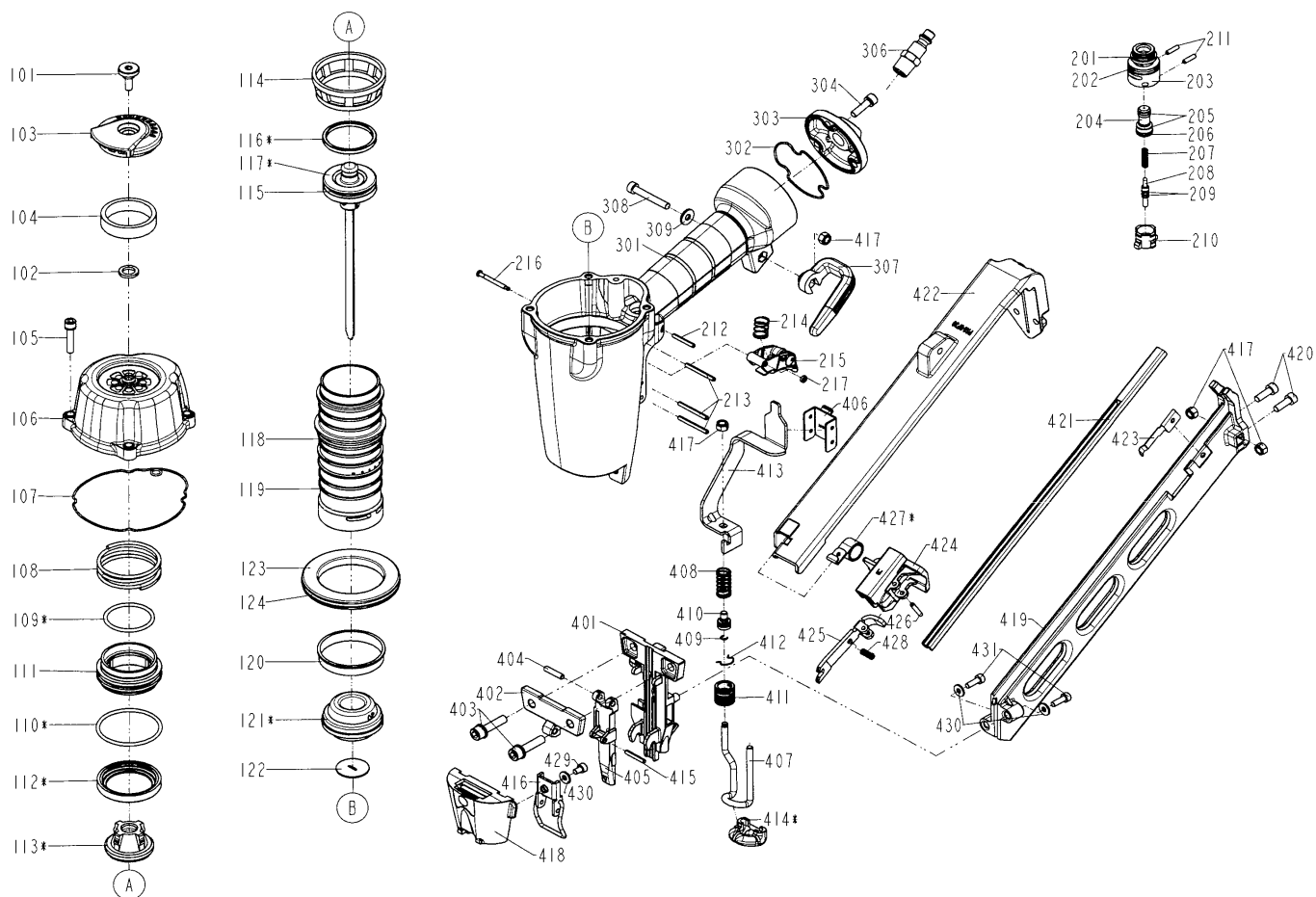


# DIAGRAM OF BEX A34/64-F1



ITEM NO.	PART NO.	DESCRIPTION	ITEM NO.	PART NO.	DESCRIPTION	ITEM NO.	PART NO.	DESCRIPTION
101	1137V-0464701-1	DEFLECTOR BOLT(3M2353)	210	100820201	TRIGGER VALVE HEAD	418	11260-0464701-1	GUIDE COVER UNIT
102	1135G-0464701-1	RUBBER PAD	211	246202	SPRING PIN	419	11389-0464708-2	MAGAZINE A
103	11371-0254702-1	DEFLECTOR	212	246332	SPRING PIN	420	20110514C12	HEX.SOC.HD.BOLT
104	1132T-0460001-1	MUFFLER	213	3304300000	SPRING PIN	421	11396-0464704-1	STEEL CHANNEL
105	201105251A	BOLT ASSY	214	11376-0370001-1	SPRING	422	11391-0464705-1	MAGAZINE B
106	11369-0461305-1	CAP	215	11224-0764701-1	TRIGGER UNIT	423	1130S-0464703-1	STOP NAIL PLATE
107	1132M-0464703-1	PACKING	216	2024050A00	TRIGGER PIVOT PIN	424	1136E-0464703-1	PROTECTING HOOD COVER
108	11360-0460001-3	COMPRESSION SPRING	217	104620201	URETHANE RETAINER	425	11363-0464707-1	PUSHER
109	2041104-04070-0	O - RING	301	11230-0467103-1	GUN BODY UNIT	426	246532	SPRING PIN
110	2152101	O - RING	302	1132H-0464701-1	GASKET	427	11278-0460002-1	SPRING UNIT
111	11368-0460005-1	HD.VALVE PISTON	303	11346-0461304-1	END CAP	428	1138H-0460003-1	PUSHER SPRING
112	11399-0464701-1	COLLAR	304	201105181A	BOLT ASSY	429	2040101-02020-2	HEX.SOC.HD.BOLT
113	11370-0460004-1	SEAL	306	1135V-0000039-1	AIR PLUG	430	2123102	FLAT WASHER
114	100811401	CYLINDER PRESS RING	307	1133D-0784701-1	SPRING RETAINER	431	20110412C12	HEX.SOC.HD.BOLT
115	2041102-04040-0	O - RING	308	2040101-03200-0	HEX.SOC.HD.BOLT			
116	11350-0460601-1	PISTON RING	309	2123052	FLAT WASHER			
117	11204-0460018-1	DRIVER UNIT	401	11303-0464709-1	DRIVER GUIDE			
118	2041100-05050-0	O - RING	402	11353-0464706-1	DRIVER GUIDE COVER B			
119	11320-0460009-1	CYLINDER	403	2040100-04020-2	BOLT ASSY			
120	102511501	CYLINDER RING	404	11324-0464702-1	FIXED PIN			
121	11327-0464701-1	BUMPER	405	11352-0464708-1	DRIVER GUIDE COVER A			
122	11388-0464703-1	DRIVER GUIDE	406	11338-0464705-1	SAFETY GUIDE			
123	11321-0460001-1	CYLINDER SPACER	407	11335-0464710-1	SAFETY			
124	2041104-07030-0	O - RING	408	11337-0460003-1	SAFETY SPRING			
201	2152118	O - RING	409	1131C-0814701-1	RING			
202	3201250000	O - RING	410	1137G-0464702-1	LINK ROD			
203	100820601	PLUNGER CAP	411	11393-0467801-1	ADJUST AXIE			
204	102520601	VALVE PLUNGER	412	1131C-0463901-1	RING			
205	2152058	O - RING	413	11332-0464705-1	SAFETY B			
206	2152016	O - RING	414	11339-0464704-2	PROTECTIVE CASING			
207	102520801	SPRING	415	2040402-05100-0	SPIRAL PINS			
208	100820301	PLUNGER	416	1135X-0464701-1	LOCK HANDLE			
209	2152060	O - RING	417	2501052	LOCK NUT			