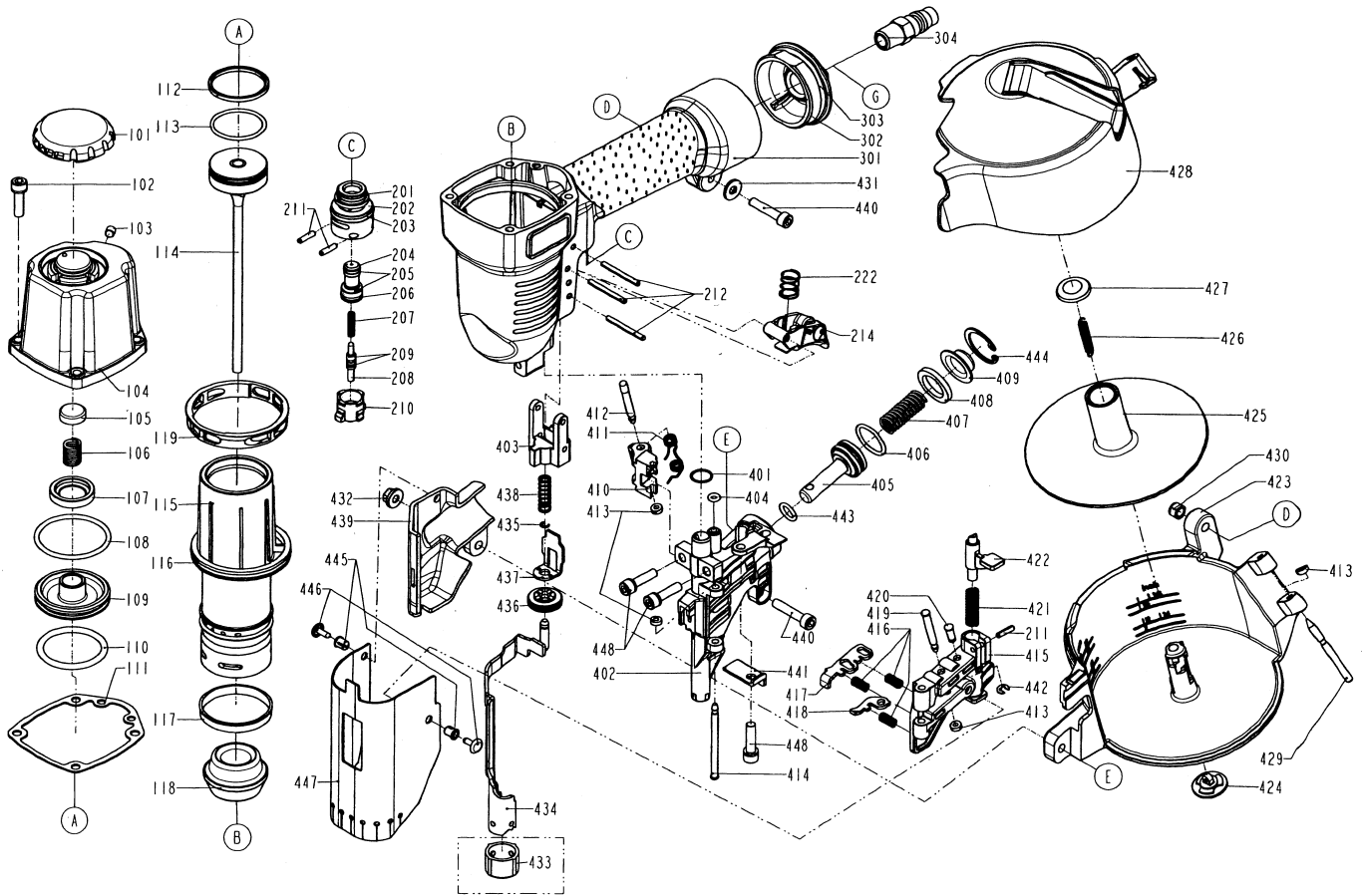


# DIAGRAM OF BEX C21/50-B1



ITEM NO.	PART NO.	DESCRIPTION	ITEM NO.	PART NO.	DESCRIPTION	ITEM NO.	PART NO.	DESCRIPTION
101	11371-0814701-1	DEFLECTOR	301	11230-0817101-1	GUN BODY UNIT	430	2040500-03010-0	LOCK NUT
102	201105201A	BOLT ASSY	302	100830305-43	END CAP	431	2123052	FLAT WASHER
103	20810505C12	HEX.SOC.HD.SCREW	303	2152117	O - RING	432	2040501-03040-0	BOLT CAP
104	11369-0814301-1	CAP	304	1135V-0000039-1	AIR PLUG	433	11339-0814701-1	PROTECTIVE CASING
105	11370-0810001-1	SEAL	401	2041108-02020-0	O - RING	434	11331-0814701-4	SAFETY A
106	11360-0810001-1	COMPRESSION SPRING	402	11382-0814701-2	NOSE PIECE	435	1131C-0814701-1	RING
107	1131P-0814701-1	OIL SEAL	403	11338-0814702-1	SAFETY GUIDE	436	11393-0814701-1	ADJUST AXIE
108	2041108-04050-0	O - RING	404	2152007	O - RING	437	11332-0814702-1	SAFETY B
109	11368-0810001-1	HD.VALVE PISTON	405	11364-0814702-1	FEED PISTON	438	11337-0814701-1	SAFETY SPRING
110	2041108-04070-0	O - RING	406	3201220000	O - RING	439	1134C-0814701-2	SAFETY COVER
111	1132M-0810001-1	PACKING	407	105240601	SPRING A COMPRESSION	440	20110525C22	HEX.SOC.HD.BOLT
112	11350-0810001-1	PISTON RING	408	1134W-0810001-1	FEED BUMPER	441	11305-0814701-2	STOPPER
113	2152021	O - RING	409	11366-0814701-1	FEED PISTON CAP	442	226106	E - RING
114	11204-0810001-1	DRIVER UNIT	410	11306-0814701-1	FEED FINGER	443	2041109-01050-0	O - RING
115	11320-0810001-1	CYLINDER	411	11307-0810001-1	FEED FINGER SPRING	444	227203	C - RING
116	3205110000	O - RING	412	11365-0814701-1	PIN FEED PISTON	445	2020700047	FIXED RING
117	11322-0814701-1	CYLINDER RING	413	2021610000	PU RETAINER	446	2020690047	FIXED PIN
118	11327-0814701-1	BUMPER	414	11362-0814701-1	DOOR SHAFT PIN	447	11383-0810001-1	MUZZLE PROTECTOR
119	1131E-0810001-1	CYLINDER PRESS RING	415	11361-0814701-1	DOOR	448	3002190200	BOLT ASSY
201	2152118	O - RING	416	1133C-0814701-1	STOPPER FINGER SPRING			
202	3201250000	O - RING	417	1130G-0814701-1	FIRST STOPPER FINGER			
203	100820601	PLUNGER CAP	418	1130C-0814701-1	SECOND STOPPER FINGE			
204	102520601	VALVE PLUNGER	419	11359-0814701-1	PIN-NAIL STOP			
205	2152058	O - RING	420	1131K-0814701-1	PIN			
206	2152016	O - RING	421	2018680A00	LATCH SPRING			
207	102520801	SPRING	422	2021620D00	DOOR LATCH			
208	100820301	PLUNGER	423	11354-0814702-1	MAGAZINE CASE			
209	2152060	O - RING	424	102546301	SPRING BASE			
210	100820201	TRIGGER VALVE HEAD	425	11356-0814701-1	SPACER			
211	246202	SPRING PIN	426	11328-0764701-2	PULL SPRING			
212	3304300000	SPRING PIN	427	102547102	SPRING BASE A			
214	11224-0764701-1	TRIGGER UNIT	428	11355-0810002-1	MAGAZINE COVER			
222	11376-0370001-1	SPRING	429	1136R-0814701-1	MAGAZINE SHAFT PIN			