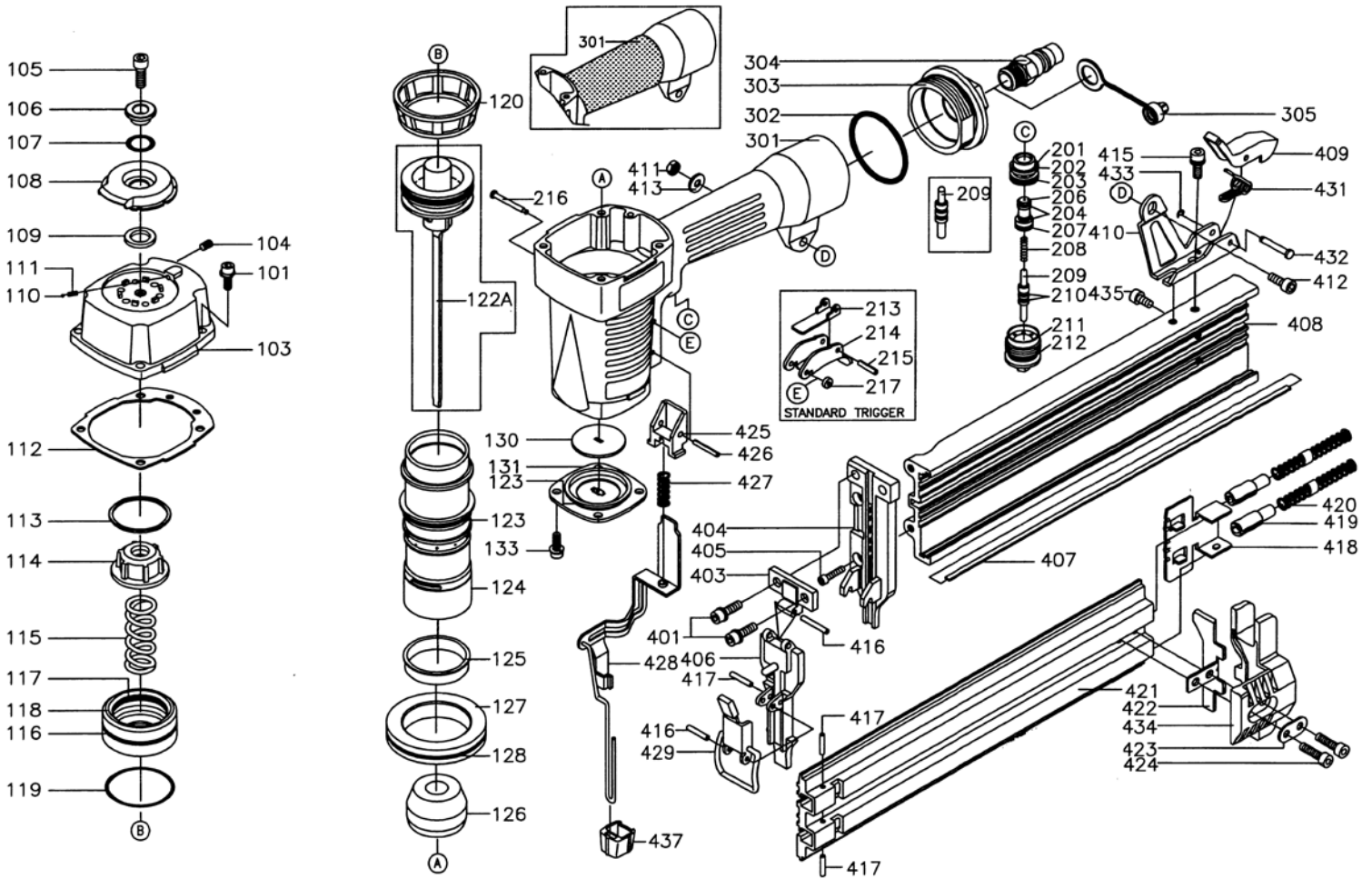


DIAGRAM OF 16/50-B1



ITEM NO.	PART NO.	DESCRIPTION	ITEM NO.	PART NO.	DESCRIPTION	ITEM NO.	PART NO.	DESCRIPTION
101	2040100-03020-0	BOLT ASSY	203	2041109-02010-0	O - RING	415	2040100-02060-0	BOLT ASSY
103	11369-0084303-2	CAP	204	2041100-01070-0	O - RING	416	2040401-04080-0	SPIRAL PINS
104	2040104-03010-0	HEX.SOC.HD.SCREW	206	1133S-0250001-1	VALVE PLUNGER	417	2040400-04060-0	SPRING PIN
105	2040101-03050-2	HEX.SOC.HD.BOLT	207	2041100-01030-0	O - RING	418	11363-0590002-1	PUSHER
106	11381-0464701-1	WASHER	208	11376-0254701-1	SPRING	419	11378-0590002-1	SHAFT
107	2041105-02010-0	O - RING	209	11375-0250001-1	PLUNGER	420	11367-0084702-1	PUSHER SPRING
108	11371-0084301-1	DEFLECTOR	210	2041102-01030-0	O - RING	421	11391-0594702-1	MAGAZINE B
109	1135G-0460001-1	RUBBER PAD	211	11374-0254701-1	PLUNGER CAP	422	11347-0594701-1	REAR PLATE
110	2040800-02010-0	BALL	212	2041100-02050-0	O - RING	423	11380-0594701-1	GASKET
111	1131L-0464701-1	POSITIONING SPRING	213	11317-0254701-1	SECONDARY TRIGGER	424	2040101-02070-0	HEX.SOC.HD.BOLT
112	11302-0080001-2	CYLINDER CAP SEAL	214	11316-0254701-1	TRIGGER	425	11338-0084702-1	SAFETY GUIDE
113	1133M-0084701-1	SEAL GASKET	215	2040400-05080-0	SPRING PIN	426	2040400-05110-0	SPRING PIN
114	11370-0080001-1	SEAL	216	11318-0084701-1	TRIGGER PIVOT PIN	427	11337-0084701-1	SAFETY SPRING
115	11360-0084701-1	COMPRESSION SPRING	217	1131D-0460001-1	URETHANE RETAINER	428	11254-0590002-1	SAFETY A UNIT
116	2041102-05030-0	O - RING	301	11230-0080601-1	GUN BODY UNIT	429	11244-0590001-1	LOCK HANDLE UNIT
117	2041102-04020-0	O - RING	301	11384-0080601-1	GUN BODY	431	11315-0084702-1	SPRING
118	11368-0080002-1	HD.VALVE PISTON	302	2041109-05050-0	O - RING	432	11344-0024701-1	LATCH PIN
119	2041100-04010-0	O - RING	303	11346-0084302-1	END CAP	433	2040302-22010-0	E - RING
120	1131E-0080001-1	CYLINDER PRESS RING	304	1135V-0000007-1	AIR PLUG	434	11390-0590001-1	PROTECTING HOOD COVER
121	2041104-04040-0	O - RING	305	1132L-0014701-1	DUSTY COVER	435	2040101-02020-0	HEX.SOC.HD.BOLT
122A	11204-0590007-1	DRIVER UNIT	401	2040100-03020-2	BOLT ASSY	437	11339-0590001-1	PROTECTIVE CASING
123	2041109-04010-0	O - RING	403	11353-0594701-1	DRIVER GUIDE COVER B			
124	11320-0080009-1	CYLINDER	404	11303-0594702-1	DRIVER GUIDE			
125	11322-0080001-1	CYLINDER RING	405	2040101-02080-0	HEX.SOC.HD.BOLT			
126	11327-0080001-1	BUMPER	406	11352-0594701-1	DRIVER GUIDE COVER A			
127	11321-0080001-1	CYLINDER SPACER	407	11377-0594702-1	FLAT BAR			
128	2041105-07010-0	O - RING	408	11389-0594702-1	MAGAZINE A			
130	11388-0594701-1	DRIVER GUIDE	409	11343-0084701-1	LATCH			
131	11326-0084703-2	BASE	410	11323-0594704-1	BRACKET			
133	2040100-03030-2	BOLT ASSY	411	2040500-03020-0	LOCK NUT			
201	2041100-02020-0	O - RING	412	2040101-03070-0	HEX.SOC.HD.BOLT			
202	11373-0250001-1	TRIGGER VALVE HEAD	413	2040202-03010-0	FLAT WASHER			