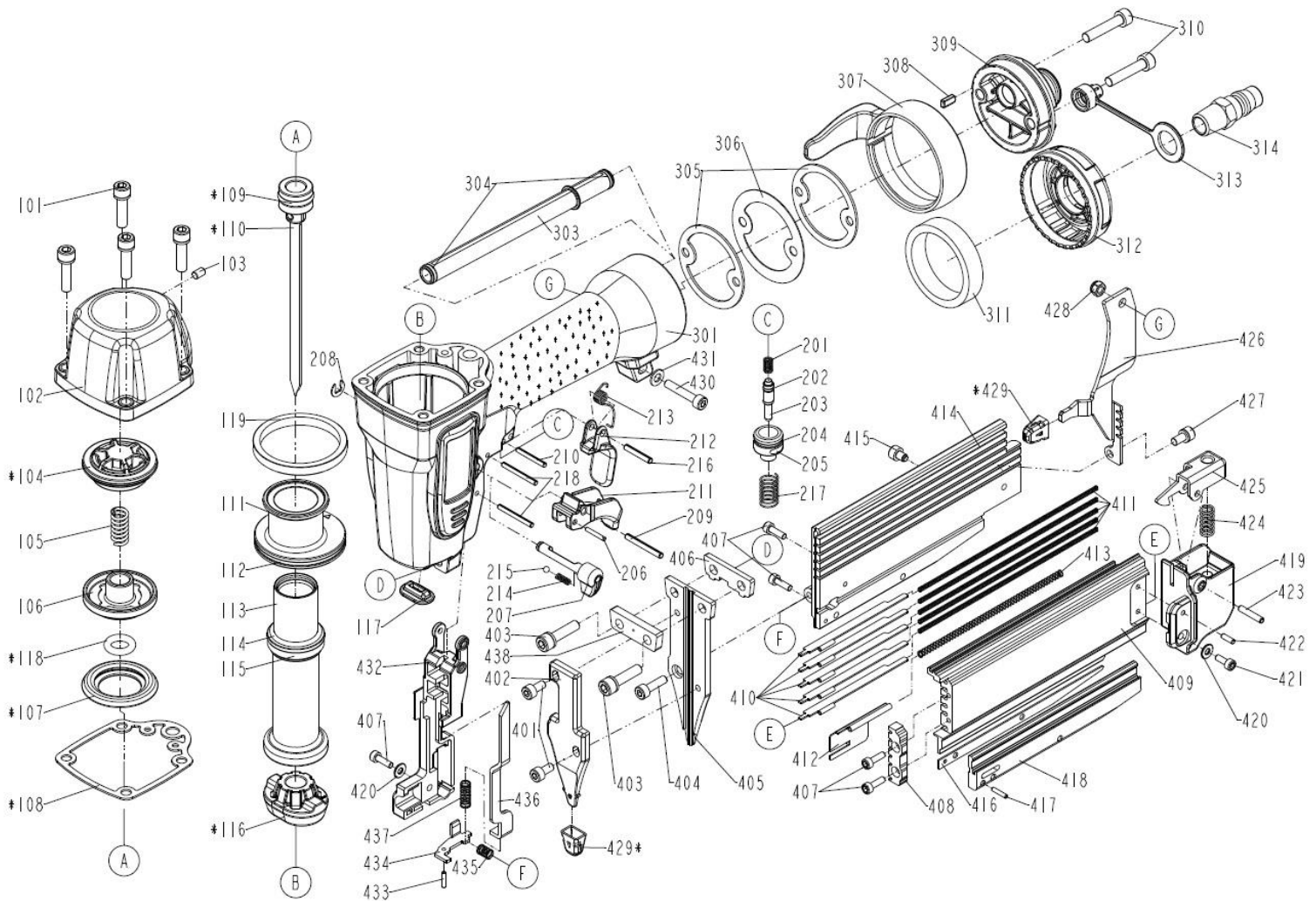


# DIAGRAM OF BEX B23/50-A1



ITEM NO.	PART NO.	DESCRIPTION	ITEM NO.	PART NO.	DESCRIPTION	ITEM NO.	PART NO.	DESCRIPTION
101	2040100-03030-0	BOLT ASSY	214	1131L-0310001-1	POSITIONING SPRING	418	11389-1064702-1	MAGAZINE B
102	11369-1044301-1	CAP	215	2040800-01010-0	STEEL BALL	419	11390-1064701-1	PROTECTING HOOD COVER
103	2040104-02020-0	HEX.SOC.HD.SCREW	216	2040400-05090-0	SPRING PIN	420	2040201-01030-0	FLAT WASHER
104*	11399-1040001-1	COLLAR	217	11376-0154701-1	SPRING	421	2040101-01070-0	HEX.SOC.HD.BOLT
105	11360-1060001-1	COMPRESSION SPRING	218	2040400-04130-0	SPRING PIN	422	2040400-04040-0	SPRING PIN
106	11368-1060001-1	HD.VALVE PISTON	301	11230-1066601-2	GUN BODY UNIT	423	2040400-05080-0	SPRING PIN
107*	1136X-1040001-1	SEAL	303	1137G-1040001-1	LINK ROD	424	11313-1064701-1	LOCK SPRING
108*	11302-1044701-1	CYLINDER CAP SEAL	304	2041102-01020-0	O - RING	425	11343-0964701-1	LATCH
109*	2041100-02020-0	O - RING	305	1132H-0310001-1	GASKET	426	11323-1064701-1	BRACKET
110*	11204-1060001-1	DRIVER UNIT	306	11380-1044702-1	GASKET	427	2040100-02040-2	BOLT ASSY
111	11321-1060001-1	CYLINDER SPACER	307	1133D-1044703-1	SPRING RETAINER	428	2040500-02010-0	LOCK NUT
112	2041105-05030-0	O - RING	308	1135G-1044702-1	RUBBER PAD	429*	11339-1064701-1	PROTECTIVE CASING
113	11320-1062401-1	CYLINDER	309	11346-1040012-1	END CAP	430	2040101-02110-0	HEX.SOC.HD.BOLT
114	2041100-03040-0	O - RING	310	2040101-03110-0	HEX.SOC.HD.BOLT	431	2040201-02050-0	FLAT WASHER
115	2041100-03010-0	O - RING	311	1132T-0310001-1	MUFFLER	432	1130T-1064701-1	STOPPER
116*	11327-1064701-1	BUMPER	312	11394-1044701-1	GUIDE PLATE	433	11329-0314701-1	PIN-A
117	11301-1040002-1	JOINT GUIDE	401	2040101-02030-0	HEX.SOC.HD.BOLT	434	1131J-1064701-1	POSITIONING SHEET
118*	2041104-01060-0	O - RING	402	11351-1064701-1	DRIVER GUIDE COVER	435	1131L-1064701-1	POSITIONING SPRING
119	1131E-1060001-1	CYLINDER PRESS RING	403	2040100-03030-2	BOLT ASSY	436	11305-1064701-1	STOPPER
201	1133U-0014702-1	SPRING	404	2040101-02070-0	HEX.SOC.HD.BOLT	437	1133C-0664701-1	STOPPER FINGER SPRING
202	2041102-01030-0	O - RING	405	11303-1064701-1	DRIVER GUIDE	438	11353-1064701-1	DRIVER GUIDE COVER B
202A	2041102-01031-0	O - RING	406	11380-1064701-1	GASKET			
203	11375-0154701-1	PLUNGER	407	2040101-01050-2	HEX.SOC.HD.BOLT			
204	2041109-02030-0	O - RING	408	1136H-1064701-1	FIXED SUPPORT			
205	11374-0154701-1	PLUNGER CAP	409	11391-1064701-1	MAGAZINE B			
206	11329-0314702-1	PIN-B	410	1133X-1064701-1	SPACER			
207	11227-1044701-2	ADJUST ROD UNIT	411	1133J-1060001-1	SPRING A COMPRESSION			
208	2040302-24010-0	E - RING	412	11363-1064701-1	PUSHER			
209	2040400-05130-0	SPRING PIN	413	11367-1060001-1	PUSHER SPRING B			
210	2040400-04100-0	SPRING PIN	414	11389-1064701-1	MAGAZINE A			
211	11316-1064701-1	TRIGGER	415	1131R-0964701-1	SCREW			
212	1136S-1064701-1	SAFETY STOPPER	416	11377-1060001-1	FLAT BAR			
213	11315-1064701-1	SPRING	417	2040400-03050-0	SPRING PIN			