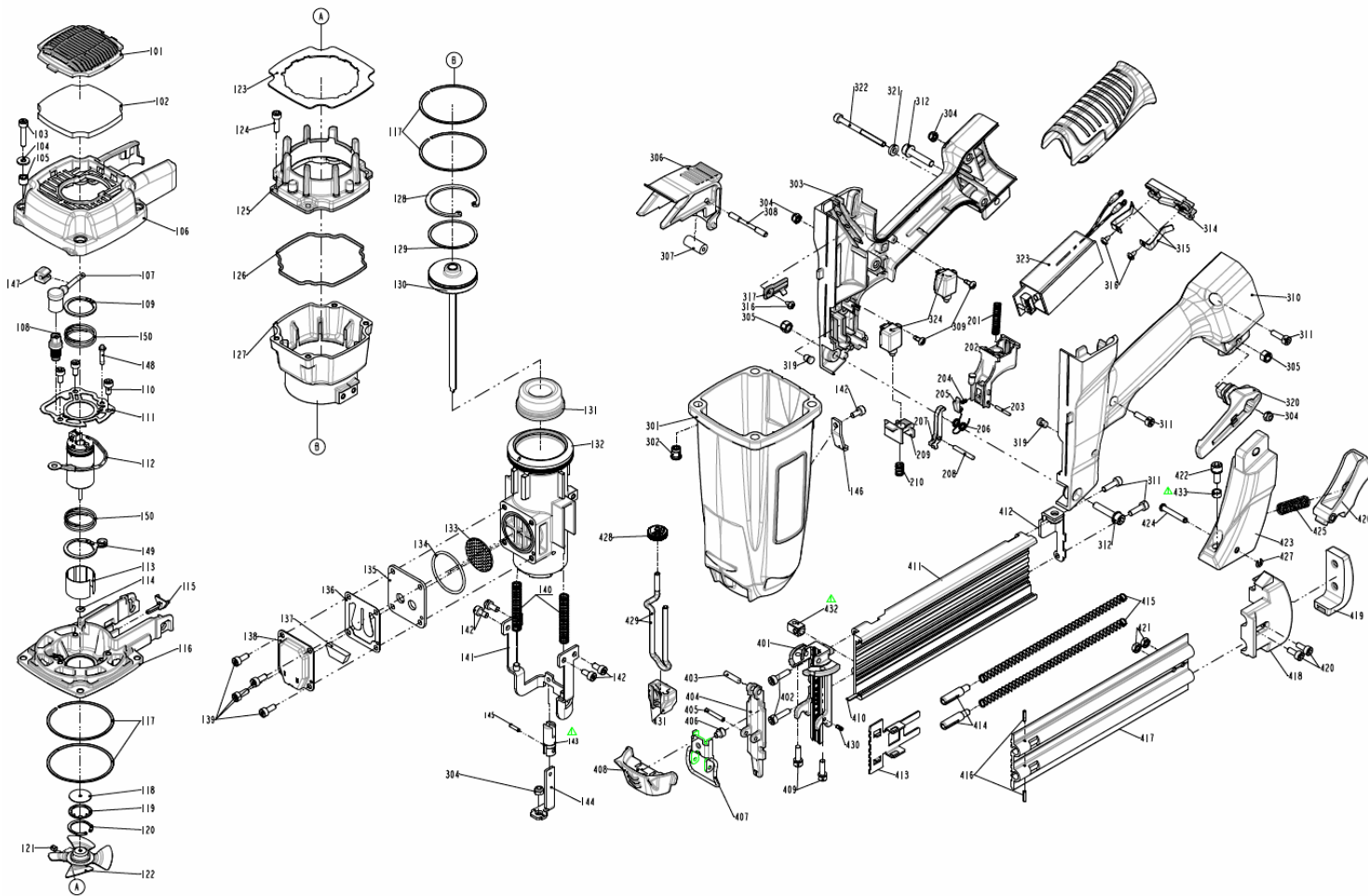


# DIAGRAM OF B18/50G-A1



ITEM NO.	PART NO.	DESCRIPTION	ITEM NO.	PART NO.	DESCRIPTION	ITEM NO.	PART NO.	DESCRIPTION
101	11371-0084705-1	DEFLECTOR	140	11337-0084704-1	SAFETY SPRING	321	2040201-02070-0	FLAT WASHER
102	1137N-0084701-1	FILTER	141	11257-0084712-1	SAFETY C UNIT	322	2040101-02251-0	HEX.SOC.HD.BOLT
103	2040101-02100-0	HEX.SOC.HD.BOLT	142	2040101-02030-2	HEX.SOC.HD.BOLT	323	1120G-0080003-1	PCB ASSEMBLY
104	2040202-02020-0	FLAT WASHER	143	1137G-0394701-1	LINK ROD	324	1121D-0080001-1	PCB CABLE SET
105	1136P-0084701-1	COLLAR	144	11332-0084706-1	SAFETY B	401	11303-0394724-1	DRIVER GUIDE
106	11369-0084703-1	CAP	145	2040401-04050-0	SPIRAL PINS	402	2040101-02080-0	HEX.SOC.HD.BOLT
107	11216-0080001-1	HIGH VOLTAGE CABLE SET	146	113AH-0084702-1	MOTOR FAN SWITCH LEVER	403	2040403-07081-0	PIN
108	1120D-0084701-1	SPARKLER UNIT	147	1136H-1154705-1	RAFT HOOK BRACKET	404	11351-0394705-1	DRIVER GUIDE COVER
109	1131C-0394702-1	MOTOR RING B	148	113CK-1150001-1	POSITIONING SHAFT	405	2040402-05100-0	SPIRAL PINS
110	2040101-02030-6	HEX.SOC.HD.BOLT	149	1131C-0394701-1	MOTOR RING A	406	2040101-02010-0	HEX.SOC.HD.BOLT
111	1131J-0394702-1	POSITIONING SHEET	150	1138J-1150002-1	SPRING	407	11244-0084702-1	LOCK HANDLE UNIT
112	1120N-1150005-1	MOTOR UNIT	201	11319-0084701-1	SPRING	408	1137A-0084706-1	COVER-SAFETY
113	11398-1150002-1	SLEEVE MOTOR	202	11316-1394701-1	TRIGGER	409	2040100-02090-2	BOLT ASSY
114	11380-1150001-1	WASHER-MOTOR SHAFT	203	2040403-03080-0	PIN	410	11379-0014701-1	BOLT BAR
115	113A6-1153901-1	FUEL STEM ADAPTER	204	1138J-0394701-1	GUIDE LOCATING SPRING	411	11389-0394703-2	MAGAZINE A
116	1139U-0080002-1	END CAP-COMBUSTION CHAMBER	205	11305-1394701-1	STOPPER	412	11323-0394704-1	BRACKET
117	11350-0084701-1	PISTON RING-CYLINDER	206	11315-0080001-1	SPRING	413	11363-0394701-1	PUSHER
118	1136X-1150001-1	SEAL	207	11335-1394702-1	SAFETY	414	11378-0261101-1	SHAFT
119	11323-1150003-1	SEAL PLATE-MOTOR	208	2040403-05110-0	PIN	415	11367-0394703-1	PUSHER SPRING
120	2040303-35010-0	IN-CONCENTRIC RING	209	1137F-0084701-1	LINK-BLOCK	416	2040400-03050-0	SPRING PIN
121	2040104-02010-2	HEX.SOC.HD.SCREW	210	1137T-0084701-1	SPRING	417	11391-0394703-2	MAGAZINE B
122	1120C-0080001-1	COOLING FAN ASSEMBLY	301	11384-0083801-1	GUN BODY	418	11347-0394703-1	REAR PLATE
123	1133X-0084705-1	SPACER	302	11398-0080008-1	CAP NUT	419	11390-0394701-1	PROTECTING HOOD COVER
124	2040101-02070-2	HEX.SOC.HD.BOLT	303	1137K-0084703-1	HANDLE A	420	2040101-02040-0	HEX.SOC.HD.BOLT
125	113AE-0080001-2	UPPER COMBUSTION CHAMBER	304	2040500-02020-0	LOCK NUT	421	2040501-02010-0	NUT
126	1132M-0084704-1	PACKING	305	2040500-03010-0	LOCK NUT	422	2040101-03050-2	HEX.SOC.HD.BOLT
127	1139V-0080001-1	COMBUSTION CHAMBER	306	113A7-0084701-1	FUEL ACTUATOR	423	11323-0394708-1	POSITIONING SHEET
128	2040300-06010-0	C - RING	307	11398-1154701-1	BUSH-FUEL ACTUATOR	424	11344-0394701-1	LATCH PIN
129	11350-0084702-1	PISTON RING	308	11325-1154702-1	PIN-FUEL ACTUATOR	425	11313-0684703-1	LOCK SPRING
130	11204-0390030-1	DRIVER UNIT	309	2040107-01120-0	TAP BOLT	426	11343-0394705-1	LATCH
131	11327-0084703-1	BUMPER	310	1137K-0084704-1	HANDLE B	427	2040302-23010-1	E - RING
132	11320-0080024-1	CYLINDER	311	2040101-02070-0	HEX.SOC.HD.BOLT	428	11393-0264701-2	ADJUST AXIE
133	1139W-0460001-1	EXHAUST MESH PLATE	312	2040100-03130-0	BOLT W/FLAT WASHER	429	11331-0394704-1	SAFETY A
134	2041102-04041-0	O - RING	314	1136H-1154701-1	BATTERY NODE BRACKET	430	2040400-04030-0	SPRING PIN
135	113A0-0080001-1	EXHAUST BAFFLE	315	113A8-1150001-1	BATTERY NODE	431	11339-0394704-1	PROTECTIVE CASING
136	1139X-0080001-1	REED VALVE	316	2040107-01040-0	TAP BOLT	432	1131F-0264701-1	ANCHOR BLOCK
137	1139L-0080002-1	CLEANER B	317	11323-0464704-1	WIRE HARNESS PLATE	433	11398-0394702-1	LATCH SPRING BUSHING
138	113A3-0080001-1	DEFLECTOR	319	113AP-1150001-1	LED COVER			
139	2040101-02040-2	HEX.SOC.HD.BOLT	320	1133D-1044701-1	SPRING RETAINER			