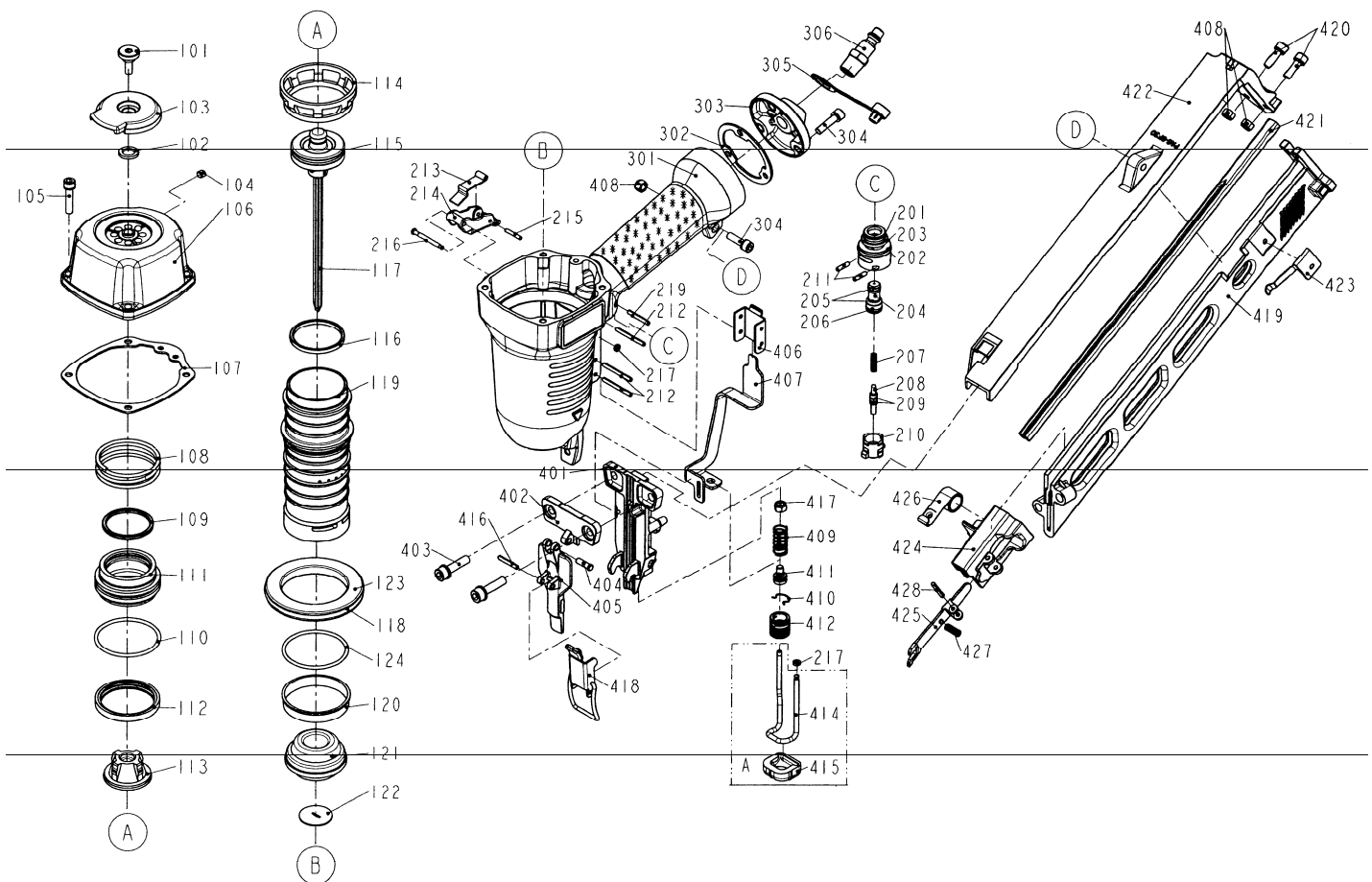


# DIAGRAM OF BEX A34/64-A1



ITEM NO.	PART NO.	DESCRIPTION	ITEM NO.	PART NO.	DESCRIPTION	ITEM NO.	PART NO.	DESCRIPTION
101	1137V-0464701-1	DEFLECTOR BOLT(3M2353)	210	100820201	TRIGGER VALVE HEAD	420	201105161A	BOLT ASSY
102	1135G-0464701-1	RUBBER PAD	211	246202	SPRING PIN	421	11396-0464701-1	STEEL CHANNEL
103	11371-0464701-1	DEFLECTOR	212	3304300000	SPRING PIN	422	11391-0464701-1	MAGAZINE B
104	20810505C12	HEX.SOC.HD.SCREW	213	11317-0374701-2	SECONDARY TRIGGER	423	1130S-0464701-1	STOP NAIL PLATE
105	201105251A	BOLT ASSY	214	11316-0464701-1	TRIGGER	424	1136E-0464701-1	PROTECTING HOOD COVER
106	11369-0464309-1	CAP	215	246352	SPRING PIN	425	11363-0464703-1	PUSHER
107	11302-0460002-1	CYLINDER CAP SEAL	216	2024050A00	TRIGGER PIVOT PIN	426	11278-0460001-1	SPRING UNIT
108	11360-0460001-3	COMPRESSION SPRING	217	104620201	URETHANE RETAINER	427	1138H-0460001-1	PUSHER SPRING
109	2041104-04070-0	O - RING	219	246332	SPRING PIN	428	246532	SPRING PIN
110	2152101	O - RING	301	11230-0467102-1	GUN BODY UNIT			
111	11368-0460004-1	HD.VALVE PISTON	302	1132H-0460001-1	GASKET			
112	11399-0460002-1	COLLAR 500937228	303	11346-0464301-1	END CAP			
113	11370-0460003-1	SEAL	304	201105181A	BOLT ASSY			
114	1135J-0464701-1	PRESS RING	305	2027810047	DUSTY COVER			
115	2041102-04040-0	O - RING	306	2303021	AIR PLUG			
116	11350-0460601-1	PISTON RING	401	11303-0464705-1	DRIVER GUIDE			
117	11204-0460014-2	DRIVER GUIDE 500757040	402	11353-0464704-1	DRIVER GUIDE COVER B			
118	2041104-07030-0	O - RING	403	2040100-04020-2	BOLT ASSY			
119	11320-0460009-1	CYLINDER	404	11324-0464701-1	FIXED PIN			
120	102511501	CYLINDER RING	405	11352-0464704-1	DRIVER GUIDE COVER A			
121	11327-0464701-1	BUMPER	406	11338-0464702-1	SAFETY GUIDE			
122	11388-0464703-1	DRIVER GUIDE	407	11332-0464701-1	SAFETY B			
123	11321-0460001-1	CYLINDER SPACER	408	2501052	LOCK NUT			
124	2041100-05050-0	O - RING	409	11337-0460001-1	SAFETY SPRING			
201	2152118	O - RING	410	1131C-0463901-1	RING			
202	3201250000	O - RING	411	1137G-0464701-1	LINK ROD			
203	100820601	PLUNGER CAP	412	11393-0464701-1	ADJUST AXIE			
204	102520601	VALVE PLUNGER	414	11335-0464706-2	SAFETY			
205	2152058	O - RING	415	11339-0464701-1	PROTECTIVE CASING	500973177		
206	2152016	O - RING	416	2040402-05100-0	SPIRAL PINS			
207	102520801	SPRING	417	2040500-03021-0	LOCK NUT			
208	100820301	PLUNGER	418	11244-0464701-1	LOCK HANDLE UNIT			
209	2152060	O - RING	419	11389-0464704-1	MAGAZINE A			